



PROJECT		REF		REV	ITEM CODE	
LOCATION		DATE			PAGE	

## SANITARY WARE SPECIFICATION SHEET

<p>Item Descriptions</p> <p>GROHE (Germany) "Grohtherm Special" Chrome plated 1/2" thermostatic basin mixer with cast swivel spout (Spout length: 115 mm); nominated flow rate <b>5 L/min</b> in WELS Grade 1; Registration No. TM 21-0212</p> <p>Dimensions</p> <p>L191 x W315 x H70 mm</p> <p>Model</p> <p>34666000 (Thermostatic basin mixer) 13378000 (Cast swivel spout)</p> <p>Finish / Material</p> <p>Chrome Plated</p> <p>Country of origin</p> <p>Germany</p> <p>Manufacturer</p> <p>GROHE Limited</p> <p>Supplier</p> <p>Acme Sanitary Ware Co. Ltd Mr. Eric Wong/ Mr. Don Yuen</p> <p>Contact Tel/Fax</p> <p>(852) 2388-7171 / (852) 2710-8012</p> <p>E-mail</p> <p>acme@acmesanitary.com.hk</p> <p>Website</p> <p>www.acmesanitary.com.hk</p>	<p>Illustration/ Drawing</p>         
<p><b>"Grohtherm Special" 1/2" Thermostatic basin mixer</b></p> <ul style="list-style-type: none"> <li>· wall mounted</li> <li>· ergonomic metal wing handles</li> <li>· ceramic headparts 1/2", 90°</li> <li>· <b>GROHE TurboStat</b> compact cartridge with wax thermoelement</li> <li>· temperature scale handle with internal safety stop between 35 °C and 43 °C</li> <li>· easy thermal disinfection by optional temperature unlocking handle 47 994 000</li> <li>· integrated mixed water shut off</li> <li>· bottom outlet for spouts 13 378 or 13 380</li> <li>· metal temperature safety stop</li> <li>· dirt strainers</li> <li>· with S-unions and with covers</li> </ul>	<ul style="list-style-type: none"> <li>· <b>GROHE Quickfix</b> for fast exchange of non return valves in connections</li> <li>· <b>100% GROHE CoolTouch</b> consisting of safety housing + S-unions with CoolTouch escutcheons</li> <li>· <b>GROHE StarLight</b> chrome finish</li> <li>· GROHE SafetyPlus</li> </ul> <p><b>Cast swivel spout</b></p> <ul style="list-style-type: none"> <li>· length 115 mm</li> <li>· swivelling (180 or 90°) and lockable</li> <li>· laminar flow straightener 9 l/min</li> <li>· <b>GROHE StarLight</b> finish</li> </ul>   

Note:  [GROHE Guide Installation](https://www.youtube.com/watch?v=C26aCm8IKHE) <https://www.youtube.com/watch?v=C26aCm8IKHE>  
 [GROHE TurboStat](https://www.youtube.com/watch?v=GBdD0Gh90Qs) <https://www.youtube.com/watch?v=GBdD0Gh90Qs>

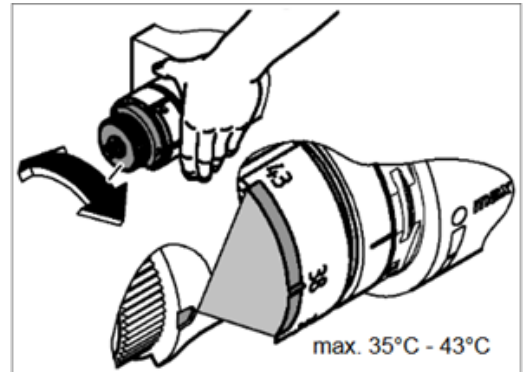
\* All information of the above is for the reference only. No prior notice is made if any changes.



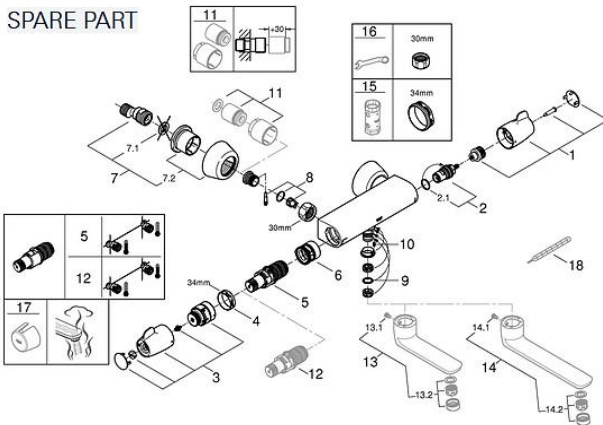
PROJECT		REF		REV	ITEM CODE	
LOCATION		DATE			PAGE	

## SANITARY WARE SPECIFICATION SHEET

# GROHE GROHTHERM SPECIAL



### SPARE PART



GROHE  
CoolTouch®

The GROHE CoolTouch® technology ensures that the entire outer surface never exceeds your preferred shower temperature. By designing our thermostats to include an innovative cooling channel, we have created a barrier between the hot water and the chrome surface - so it's never too hot to handle.

This safety measure is especially useful for children, who can not always judge whether something they touch is dangerously hot.



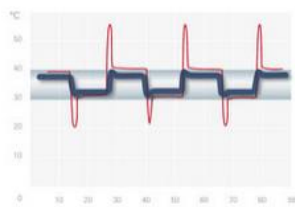
GROHE  
TurboStat®

Grohtherm thermostats are equipped with the most advanced and precision-made cartridges in the industry. By increasing the sensitivity of the thermo-element, our thermostats react to changes in water pressure twice as fast as before.

So, no more time and water wasted fiddling with the controls to get the temperature right.

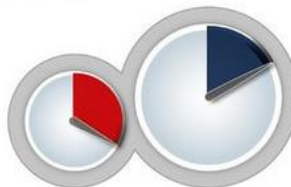
Pos.-nr.	Prod. Description	Order-nr.
1	GRT Special shut-off handle	49006000
2	Ceramic headpart, 1/2"	45882000
2.1	O-ring ø18.2 x ø1.7	0392400M
3	GRT Special temperature control handle	49005000
4	Fitting ring	47743000
5	Thermostatic compact cartridge 1/2"	47439000
6	Race	47975000
7	S-union	12058000
7.1	Ball seal dia. 9x6.8 mm	0138600M
7.2	Covering escutcheon	45545000
8	Replacement set for GROHE QuickFix	47979000
9	O-ring dia. 13.5x2.75 mm	0128500M
10	stop screw	4669000M
11	Extension set 1/2", 30 mm	46238000*
12	Thermo-element 1/2 for changed waterways	47175000*
13	Cast swivel spout	13378000*
14	Cast swivel spout	13380000*
15	Socket spanner	19332000*
16	Special spanner	19377000*
17	Temperature unlocking handle	47994000*
18	Adjusting thermometer (°C)	19001000*

\* Optional accessories



Compensating precisely for fluctuations in temperature and pressure results in a consistent and comfortable shower throughout.

The GROHE TurboStat® thermo-element at the heart of GROHE thermostats.



Exceptionally swift reaction to water-pressure fluctuations.



Note:

\* All information of the above is for the reference only. No prior notice is made if any changes.

註冊號碼 (Registration No.): TM 21-0212




自願參與用水效益標籤計劃 - 水龍頭  
Voluntary Water Efficiency Labelling Scheme - Water Taps



茲證明  
This is to certify that

將下列水龍頭在本計劃內註冊：  
has registered the following water tap under this scheme :

牌子 / Brand	:	Grohe + Neoperl
型號 / Model	:	34666000 + 13378000 + 40.2051.000
種類 / Type	:	Mixing
原產地 / Country or Region Origin	:	Germany (Mixer & Flow Controller)

在用水效益標籤上展示的標誌 <i>Symbolic Presentation on the Water Efficiency Label</i>	:		滴水點 <i>Water droplet(s)</i>
用水效益級別 <i>Water Efficiency Grade</i>	:	1	
耗水量 <i>Water Consumption</i>	:	5.0	公升/分鐘 <i>litres/minute</i>

簽發日期: 9 August 2021  
Date of Issue:

 水務署  
Water Supplies Department



水務署署長(張業駒代行)  
for Director of Water Supplies



水務署  
Water Supplies Department

總辦事處 Headquarters

告士打道七號入境事務大樓 48 樓

7 Gloucester Road, Wan Chai, Hong Kong



本署  
Our ref.  
來函檔號  
Your ref.

3321/19 T/J(491/2019)

電話 :  
Tel. :  
傳真 : 2824 0578  
Fax. :


18 November 2019



**Approval of "GROHE" Basin Mixer  
(General Acceptance No. C20190559)**

Your letter ref. WRC/2059 dated 21 May 2019 and subsequent clarification by email on 25 September 2019 refer.

Having considered the test report ref. J23815Ar1 issued on 5 August 2019 by Nutek Systems (HK) Ltd., this Authority accepts that the fitting described below complies with, and its use when correctly installed does not contravene, the Waterworks Ordinance and Regulations.

**Name of Manufacturer:** Grohe AG  
**Country of Origin:** Germany (mixer)  
**Brand:** Grohe  
**Details of Fitting:** 1/2" Thermostatic basin mixer  
**Model:** 34666000 + 13378000  
**Body Markings:**   
**Expiry Date:** 15 January 2024



This Authority hereby permits the use of the above fitting in fresh water plumbing systems subject to full adherence to Waterworks installation requirements. In particular, you are required to draw your customers' attention to the following requirement-

"The cold water supply to the fitting shall be drawn from the same source that supplies the hot water apparatus so as to provide a balanced pressure and to obviate the risk of scalding in the event of a restriction or failure in the water supply."

A condition of this acceptance is that the fitting to be installed shall be replicas of the sample as certified by the testing agent mentioned above and without modifications. This acceptance may be withdrawn at any time if the standard of the fitting installed fails to meet that of the approved sample or if the fitting is found to be unsuitable for use in fresh water plumbing systems.

This acceptance is only applicable to the main body of the fitting, unless otherwise specified.

For the use of the fitting in any project, the General Acceptance Number of this letter must be quoted as a means of identification of acceptance of the fitting by this Authority.

Should you have any enquiries, please contact our Engineer Mr. Terry KUNG at tel. no. 3583 4086.

Yours faithfully,



(CHAN Chung-kun)

for Director of Water Supplies

Encl.

c.c. WSD 3321/1/82 ] - without catalogue  
ME/MC ] - with soft copy only